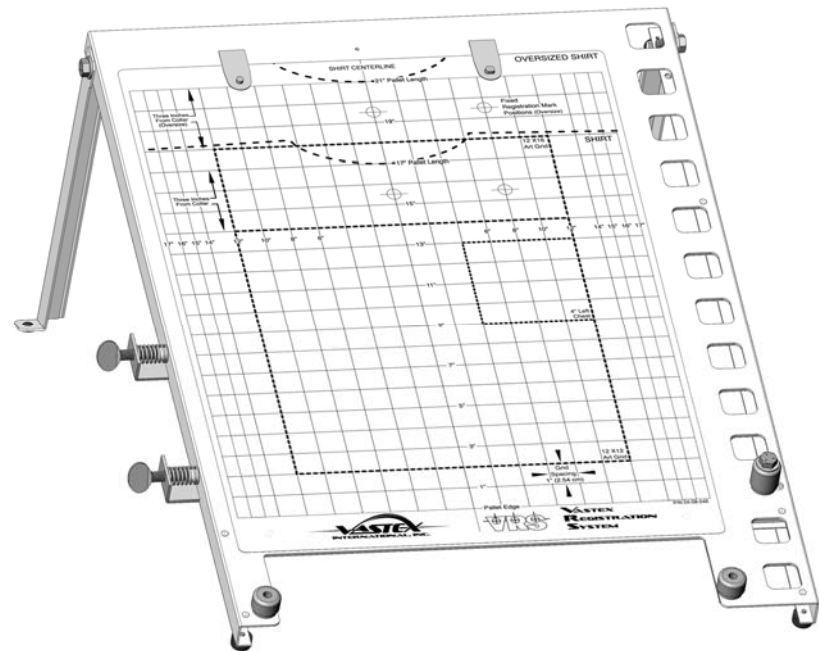


VRS-LITE

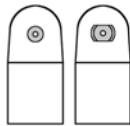
Vastex Registration System



VRS LITE INCLUDES:

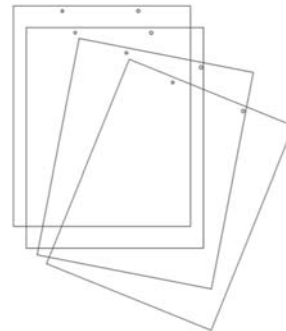
(1) Fixture Pallet Jig / Pin Board Combination

Accurately positions the artwork on the screens and the screens into the printheads. Includes provisions for 14"-17" wide pallets.



(1) Anchor Pin and Tab set

The registration pins are provided to fasten the clear carrier sheets to the pin board. The registration pins are anchor points for the setup sheets, allowing for precise placement of art work onto your screens.



(12) Art Carrier Sheets

The art carrier sheets, individually, are a base for attaching each positive in precise position while using the printed grid on the pin board. Each pack of art carrier sheets will contain 12 clear sheets with punched holes on both sides.

- Pallet Spacer Installation
- Using the Grid for Aligning Artwork
- Exposing Screens
- Positioning Screens Into Printheads
- Using "The Tape Trick"

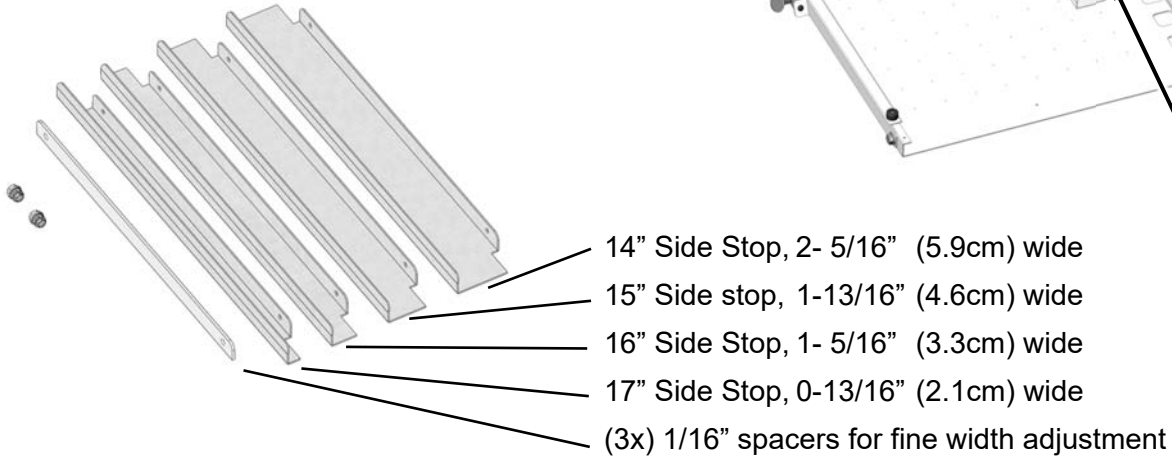
- Pg 2
- Pg 2
- Pg 3
- Pg 3-4
- Pg 4

Vastex International, Inc.
 7 Emery St
 Bethlehem, PA 18015 USA
 Phone# 610 625-2702 Fax# 610 625-2775
 Web Site www.vastex.com
 E-Mail info@vastex.com

Pallet Spacer Installation

- 1) Install Pallet Side Stop and Spacer. Choose appropriate version for desired pallet width. 1/16" thick spacers supplied for fine width adjustments. Check pallet center via center cutouts

-Install Side stop and Spacer with (2) 10-32 Bolts and Serrated nuts. Tighten well with 3/8" wrench.



- 1a) Vastex Pallets will require (1) 1/16" spacer to be used with appropriate Side Stop.

Pallet jig will accommodate a max of 1/4" wider pallet than selected spacer.

- (0) 1/16" spacer for 14-1/4", 15-1/4", 16-1/4", and 17-1/4" actual width pallets.
- (1) 1/16" spacer for 14-1/8", 15-1/8", 16-1/8", and 17-1/8" actual width pallets (**VASTEX PALLETS**)
- (2) 1/16" spacers for 14", 15", 16", and 17" actual width pallets.
- (3) 1/16" spacers for 13-7/8", 14-7/8", 15-7/8", and 16-7/8" actual width pallets.

Using the Grid for Aligning Artwork

(Graphics are for reference only and do not reflect actual Fixture Pallet Jig / Pin Board Com-

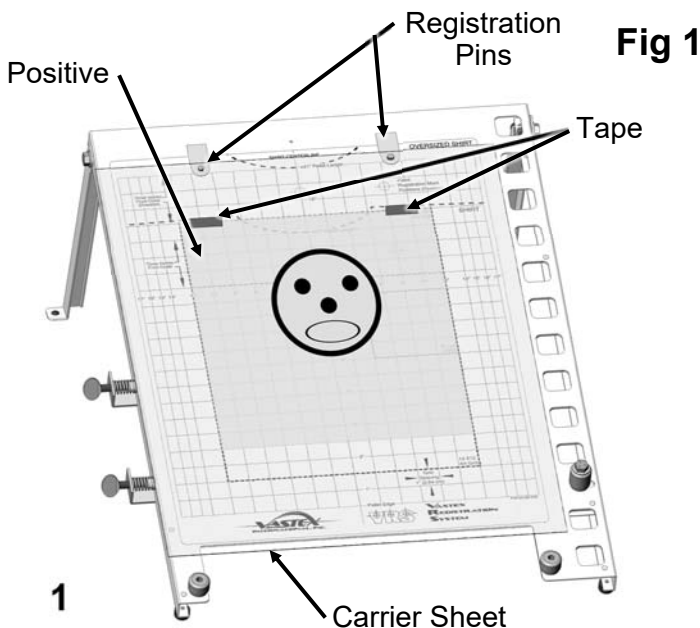


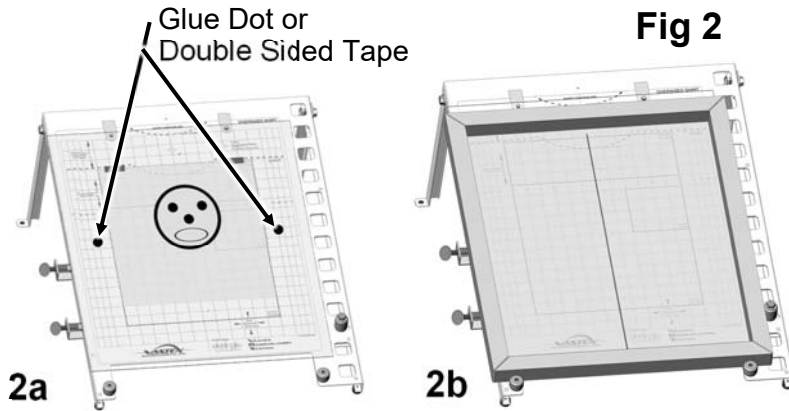
Fig 1

- 1) Place one carrier sheet onto the registration pins.
 - 2) Choose the positive covering the largest area and position over the carrier sheet.
 - 3) Using the grid underlay for alignment.
 - 4) Tape the positive to the carrier sheet with transparent tape. Tape must be outside of image area.
- For Multicolor Printing**
- 5) Leave the first carrier sheet and positive attached to the registration pins.
 - 6) Use a new carrier sheet, repeat steps 1-4 for the second positive.
 - 7) Remove the second carrier sheet and positive and repeat steps 1-4 for each remaining positive. Leaving the first carrier sheet and positive attached for aligning all remaining positives.
 - 8) Refer to step 2 for securing carrier sheet / positive to screens. (Fig 2)

Using the Grid for Aligning Artwork

Center the Screen Over Artwork Grid

Place a screen against both bottom stops and center the screen left to right over the art work grid. To adjust the side stop, use a 9/16" wrench, loosen the mounting bolt slightly and slide in or out, retighten.



- 1) Install a glue dot, double sided tape or single sided tape under the positive with 1/2" sticking out.
- 2) Take a coated and dried screen and carefully position it against all three stops without contacting the tape and positive.
- 3) While holding the screen against all three stops, carefully slide the screen down onto the positive.
- 4) Press the screen firmly over each tape to secure.
- 5) Release the carrier sheet from the pins and carefully lift screen, positive, and carrier sheet. Do not allow the carrier sheet to pull away from the screen.
- 6) Repeat steps 1-5 for each screen.

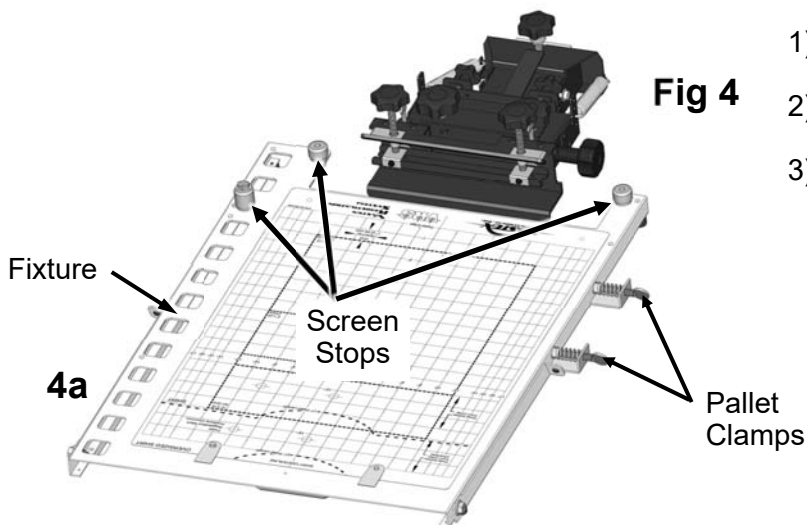
Expose the Screen



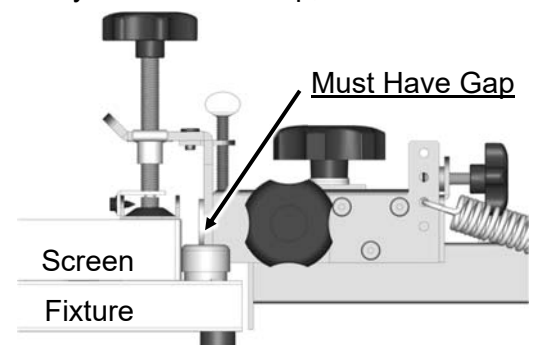
- 1) Take each screen with positive and carrier sheet to your exposing unit and expose for the proper amount of time. Care should be taken to ensure the carrier sheet is firmly attached to the screen.

Positioning Screens Into Printheads

(Graphics are for reference only and do not reflect actual Fixture Pallet Jig / Pin Board Combination)



- 1) Level heads, set off contact to 1/8" and center all micro adjustments.
- 2) Position the Fixture onto a pallet. Pull back firmly and tighten both side clamps.
- 3) Adjust your shirt pallet in or out to ensure proper screen depth into the screen clamp. The screen must be able to contact both back screen stops without contacting the back of your screen clamp, see below.



Positioning Screens Into Printheads

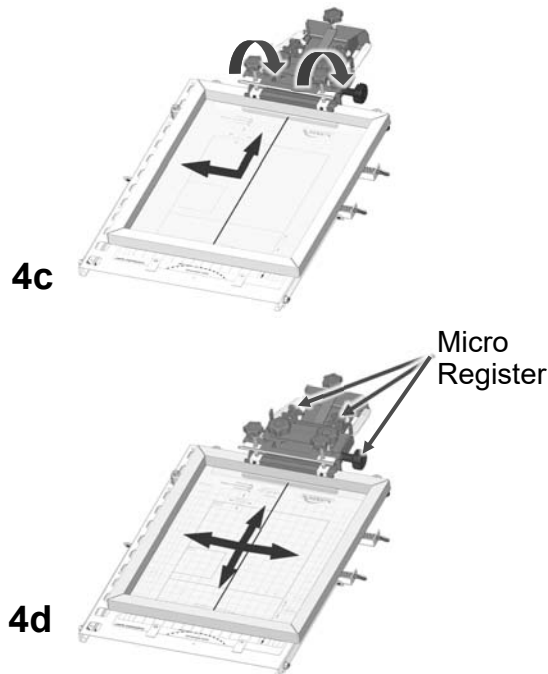
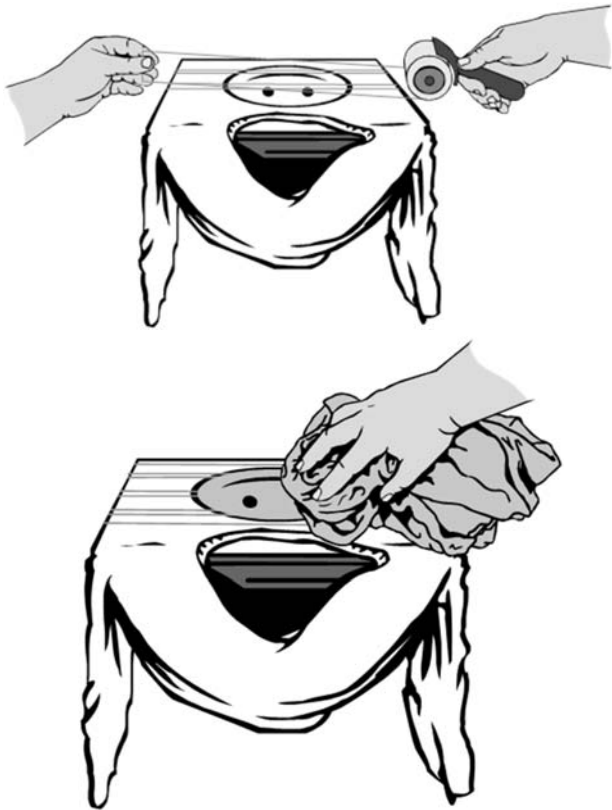


Fig 4

- 4) Gently push the screen against all three screen stops and firmly tighten the screen clamps.
- 5) Lift the screen and rotate to the second printing position.
- 6) Repeat steps 4-6 for each color.
- 7) When all screens are installed, remove the fixture from pallet and begin printhead set-up.
- 8) Slight Micro Adjustment should be all that is needed to complete registration.

Using "The Tape Trick"



- 1) Apply a liberal amount of adhesive to the platen and place a print rag (large enough to cover the entire platen) on the platen.
- 2) Print the "alignment" color (this should be a color that contrasts with the rag color and touches or is part of all the other colors in the design) along with its registration marks. There is no need to flash (flashing may shrink the design).
- 3) Apply clear 2-3 inch packing tape over the entire design and registration marks (make sure to overlap the edges and smooth down the tape).
- 4) Move the next color into position and bring the print head down into the locks.
- 5) If critical registration is needed, print directly onto the tape and move the micro registration as needed.
- 6) If further alignment is needed, wipe the ink from the tape and proceed to make new micro adjustments as needed (print, adjust, wipe and repeat). When all the screens and the respective colors are in their final positions and locked remove the tape from the rag and discard it.

A complete video demonstration can be seen in the video section of our website. Just go to WWW.VASTEX.COM to see The Tape Trick and a complete VRS demo.